



*"MINIWIZ IS ONE OF 11 COMPANIES IN THE WORLD  
LEADING THE WAY TO A CIRCULAR ECONOMY"*

*WORLD ECONOMIC FORUM 2019*



OBAMA 2009

*"YOUR WORK (MINIWIZ) GIVE ME AND MICHELLE  
HOPE FOR OUR SHARE FUTURE"*

*BARACK OBAMA LETTER TO MINIWIZ 2020*



*"REVOLUTIONIZING RECYCLING"*

*CNN, CALL TO EARTH 2021*



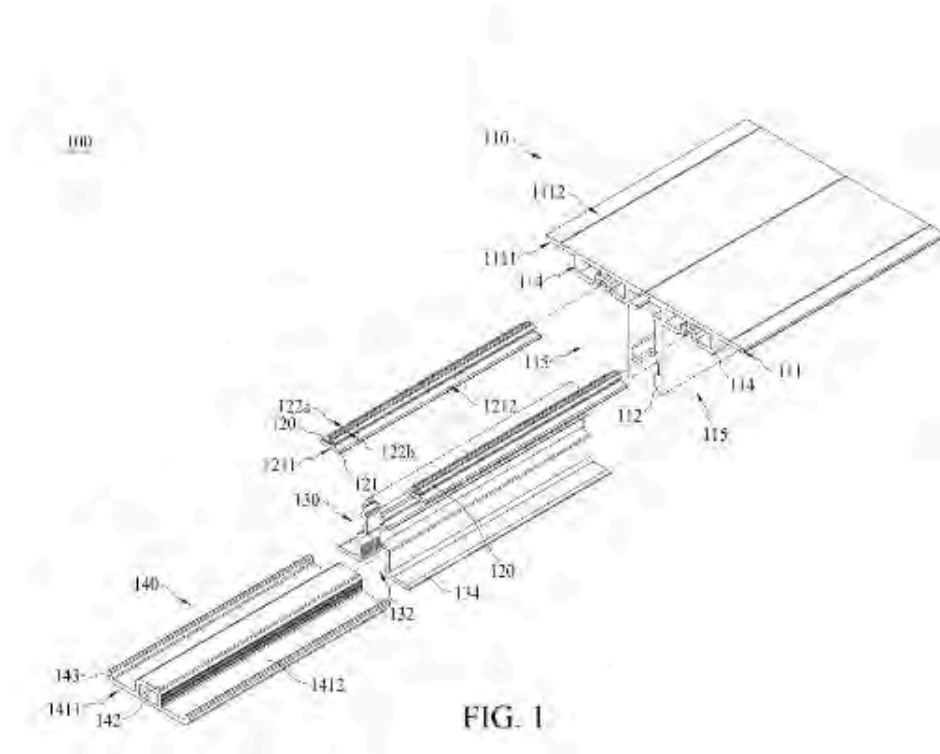
**CIRCULAR E.S.G. BUILDING SOLUTION**

**ZERO WASTE & BEYOND since 2005**

# MODULAR WALL PANEL AIRTIGHT SEAL (INVENTION PATENTS)

MINIWIZ Patents Info Brief 2022.03.18

Area	App. No.	Patent No.	Status	Patent Link	* Applied on 2021/02/09
USA	17170964	Not yet issue	Approved	<a href="https://patents.google.com/patent/US20220251831A1/en?q=17170964">https://patents.google.com/patent/US20220251831A1/en?q=17170964</a>	
Japan	2021-019360	JP7047149B1	Granted	<a href="https://patents.google.com/patent/JP7047149B1/en?q=JP7047149">https://patents.google.com/patent/JP7047149B1/en?q=JP7047149</a>	
Taiwan	110105007	I757093	Granted	<a href="https://patents.google.com/patent/TWI757093B/zh?q=TWI757093">https://patents.google.com/patent/TWI757093B/zh?q=TWI757093</a>	
EU	EP21156147.7	Not yet issue	Patent Pending	Not yet public	
China	202110181972.5	Not yet issue	Patent Pending	Not yet public	





# MODULAR WALL PANEL AIRTIGHT SEAL (INVENTION PATENTS)



US 20220251831A1

(19) United States

(12) Patent Application Publication (10) Pub. No.: US 2022/0251831 A1  
(73) Applicant: MINIWIZ CO.,LTD., Taipei City (TW)  
(43) Pub. Date: Aug. 11, 2022

(54) BUILDING ASSEMBLY

(71) Applicant: MINIWIZ CO.,LTD., Taipei City (TW)

(72) Inventors: Chian-Chi HUANG, Taipei City (TW); Tzu-Wei LIU, Taipei City (TW); Jui-Ping CHEN, Taipei City (TW); Yu-Ying YAI, Taipei City (TW); Yu-Tung HSING, Taipei City (TW); Pei-Yi HUANG, Taipei City (TW); Min-Wei LIN, Taipei City (TW); Yi-Chun CHANG, Taipei City (TW); Ling-Hsiang WENG, Taipei City (TW)

(73) Assignee: MINIWIZ CO.,LTD., Taipei City (TW)

(21) Appl. No.: 17/170,964

(22) Filed: Feb. 9, 2021

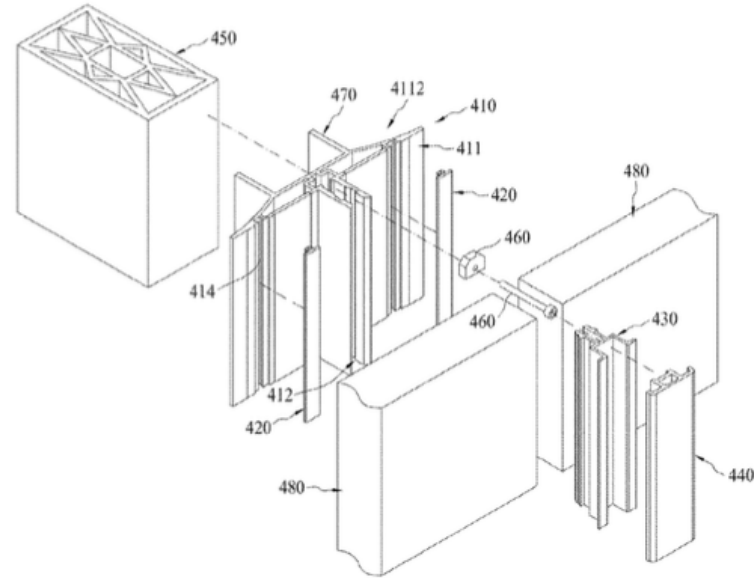
### Publication Classification

(51) Int. Cl. E04B 2/74 (2006.01)

(52) U.S. Cl. CPC ... E04B 2/7407 (2013.01); E04B 2002/7461 (2013.01)

### ABSTRACT

Disclosed herein is a building assembly for assembling building panels. The building assembly includes a supporting member, a pair of a first sealing member, an elastically deformable gasket, and a second sealing member. The supporting member has a base, a channel disposed at the center of the base, and a pair of rails independently disposed next to the channel. The pair of a first sealing members independently includes a first base portion and two retention tongues independently extending outwardly from the first base portion. The elastically deformable gasket has a U- or V-shaped space in cross section and two flanges independently extending laterally from one edge of the U- or V-shaped space. The second sealing member has a second base portion and a rib disposed at the center of the second base portion. Further, the pair of the first sealing members are configured to engage with the supporting member, the elastically deformable gasket is configured to be snap-fitted into the channel of the supporting member, the second sealing member is configured to engage with the elastically deformable gasket via press-fitting the rib into the U- or V-shaped space of the elastically deformable gasket; and the engagement of the pair of the first sealing members with the supporting member creates a pair of pockets independently for receiving a construction panel therein.



JP7047149B1 2022.4.4

I757093



(19) 中華民國智慧財產局

(12) 發明說明書公告本 (11) 證書號數: TW 1757093 B

(45) 公告日: 中華民國 111 (2022) 年 03 月 01 日

(19) 日本國特許庁(特)

(12) 特許公報(B1)

(11) 特許番号  
特許第7047149号  
(P7047149)

(45) 発行日 令和4年4月4日(2022.4.4)

(24) 登録日 令和4年3月25日(2022.3.25)

(51) 国際特許分類 F I  
E 0 4 B 1/68 (2006.01) E 0 4 B 1/68 C

請求項の数 6 外国語出願 (全8頁)

(21) 出願番号 特願2021-19360(P2021-19360)  
(22) 出願日 令和3年2月9日(2021.2.9)  
審査請求日 令和3年3月29日(2021.3.29)

(73) 特許権者 518119261  
小智研発股▲フン▼有限公司  
MINIWIZ CO., LTD.  
台湾台北市信義区▲イェン▼廠路88号  
8楼之1  
8F, -1, No. 88, Yanchang Rd., Xinyi Dist., Taipei City 110, Taiwan  
(74) 代理人 110001139  
SK特許業務法人  
100130328  
(74) 代理人 弁理士 奥野 彰彦  
100130672  
(74) 代理人 弁理士 伊藤 寛之

最終頁に続く

(54) 【発明の名称】 建物用アセンブリ

(57) 【特許請求の範囲】

【請求項1】

支持部材(110、410)と、1対の第1シール部材(120)と、弾性変形ガスケット(130、430)と、第2シール部材(140)とを含む建物用アセンブリ(100)であって、前記支持部材(110、410)は、前面側及び背面側(1111、1112)を有するベース(111)と、前記ベース(111)の前面側(1111)の中央に設けられたチャンネル(112)と、それぞれ独立して前記チャンネル(112)の隣に設けられた1対のレール(114)とを含み、前記チャンネル(112)及び前記1対のレール(114)は、それぞれ独立して前記ベース(111)の長手方向の全長に沿って延在し、前記1対の第1シール部材(120)は、それぞれ独立して前面側及び背面側(1211、1212)を有する第1ベース部(121)と、2つの保持舌(122a、122b)とを含み、前記2つの保持舌(122a、122b)は、それぞれ独立して前記第1ベース部(121)の長手方向の全長に沿って前記第1ベース部(121)の前記背面側(1212)から外向きに延在し、前記弾性変形ガスケット(130、430)は、断面がU字型又はV字型の空間(132)と、2つのフランジ(134)とを含み、前記2つのフランジ(134)は、それぞれ独立して前記U字型又はV字型の空間(132)の一方の縁から横方向に延在し、前記第2シール部材(140)は、前面側及び背面側(1411、1412)を有する第2ベース部(141)と、前記第2ベース部(141)の前記背面側(1412)の中央

(21) 申請案號: 110105007

(22) 申請日: 中華民國 110 (2021) 年 02 月 09 日

(51) Int. Cl.: E04B2/82 (2006.01) E04B2/74 (2006.01)  
E04H1/12 (2006.01)

(71) 申請人: 小智研發股份有限公司(中華民國) MINIWIZ CO.,LTD. (TW)

臺北市信義區於廠路88號8樓之1

(72) 發明人: 黃謙智 HUANG, CHIAN-CHI (TW); 劉子埜 LIU, TZU-WEI (TW); 陳苜平 CHEN, JUI-PING (TW); 葉昱瑩 YAI, YU-YING (TW); 李禹彤 HSING, YU-TUNG (TW); 黃培宜 HUANG, PEI-YI (TW); 林昱菁 LIN, MIN-WEI (TW); 張樟駿 CHANG, YI-CHUN (TW); 翁翎翔 WENG, LING-HSIANG (TW)

(74) 代理人: 何美瑩; 王皓恬

(56) 參考文獻:

TW M329649

TW M428967

TW M584814

審查人員: 李偉倫

申請專利範圍項數: 10 項 圖式數: 4 共 19 頁

(54) 名稱

建築用組件

(57) 摘要

在此揭示用來組裝建築用壁板的建築用組件。本建築用組件包括一支撐件、一對第一密封件、一彈性可形變之墊片以及一第二密封件。所述支撐件具有一底部、一位於底部中央的通道、以及一對位於通道兩旁的軌道。每一第一密封件包括一第一底部和兩個分別自第一底部往外延伸的止滑部。所述彈性可形變之墊片具有一個截面為U形或是V形的空間、以及兩個分別自該U形或是V形空間邊緣往外水平延伸出來的凸緣。第二密封件包括一第二底部及一設於第二底部中央的肋條。此外，該對第一密封件係可與支撐件吻合，彈性可形變之墊片係可卡合入支撐件的通道內；第二密封件則係藉由將肋條壓入截面為U形或是V形的空間內，而與彈性可形變之墊片吻合；以及當該對第一密封件與支撐件彼此吻合時，可創造出兩個能用來安裝建築壁板的口袋區域。

Disclosed herein is a building assembly for assembling building panels. The building assembly includes a supporting member, a pair of a first sealing member, an elastically deformable gasket, and a second sealing member. The supporting member has a base, a channel disposed at the center of the base, and a pair of rails independently disposed next to the channel. The pair of a first sealing members independently includes a first base portion and two retention tongues independently extending outwardly from the first base portion. The elastically deformable gasket has a U- or V-shaped space in cross section and two flanges independently extending laterally from one edge of the U- or V-shaped space. The second sealing member has a second base portion and a rib disposed at the center of the second base portion. Further, the pair of the first sealing members are configured to engage with the supporting member, the elastically deformable gasket is configured to be snap-fitted into the channel of the supporting member, the second sealing member is configured to engage with the elastically deformable gasket via press-fitting the rib into the U- or V-shaped space of the elastically deformable gasket; and the engagement of the pair of the first sealing members with the supporting member creates a pair of pockets independently for receiving a construction panel therein.



